

JMS581- A True microSD Express Card Reader Solution

USB 3.2 Gen2x1 to microSD Express/ PCIe/ SATA Bridge Controller

JMicron® revs up your life with an exceptional storage solution



Support USB 3.2 Gen2x1 /microSD Express

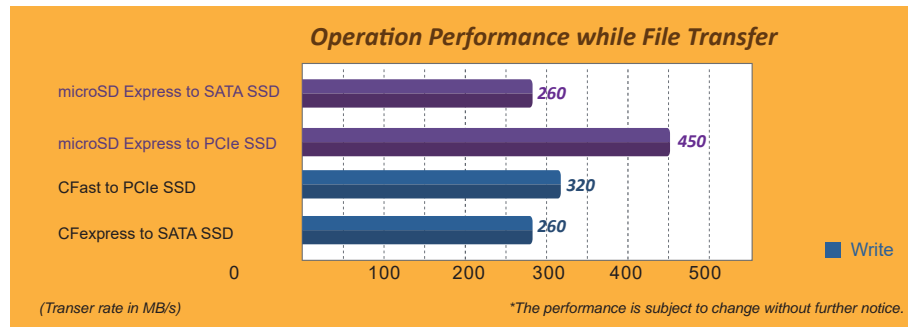


Key Feature

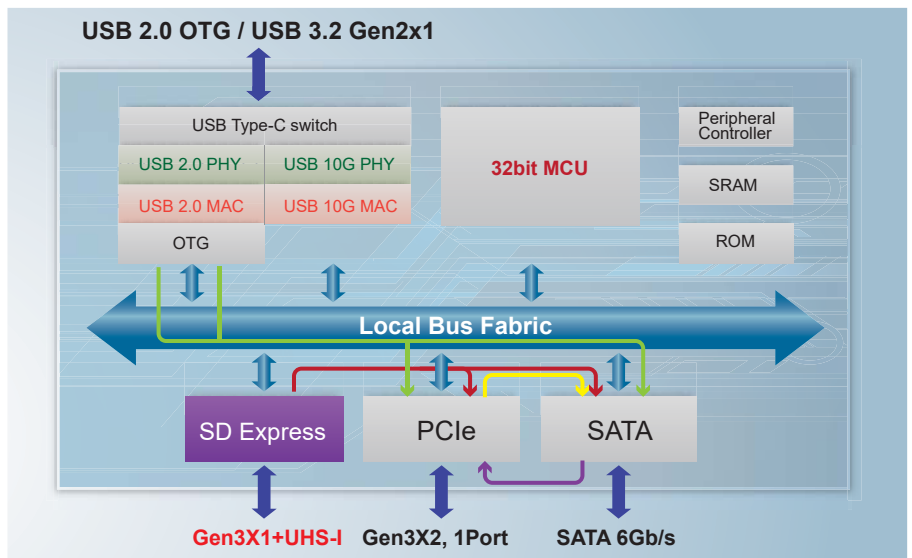
- Comply with microSD Express standard
- Offline file copy through built-in FW
 - microSD Express to SATA/ PCIe
 - PCIe to SATA ; SATA to PCIe
 - USB 2.0 OTG to SATA/ PCIe
- Support keypad and LCM
- Compatible with mainstream Hub ICs
- Integrates with USB Type-C™ multiplexer & CC logic
- Support external SPI NVRAM for vendor PID/VID of USB 2.0/3.1 Gen 2 device controller
- Provide HW control PWMs
- Provide software utilities for FW upgrade under USB2.0/ 3.1 Gen 2

Product Description

JMS581 is a single chip solution providing the next gen memory card interfaces that customers need. The built-in one button offline file copy further enhances the user experience by moving files from memory cards or mobile devices to HDD/SSD. No more PC/Laptop is required.



Block Diagram



Typical Applications

